

ALL-IN-ONE DRIVE-THRU SOLUTION

Menu Board
Order Confirmation Board
Speaker & Microphone
Flat-Top Canopy



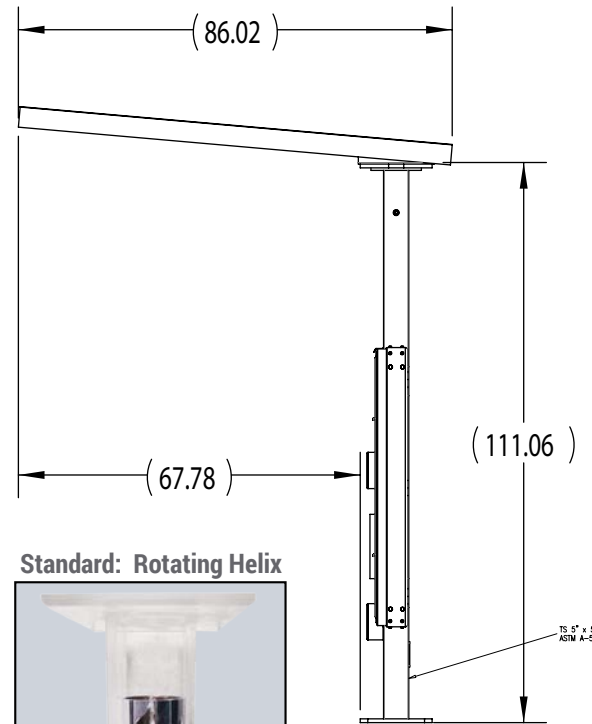
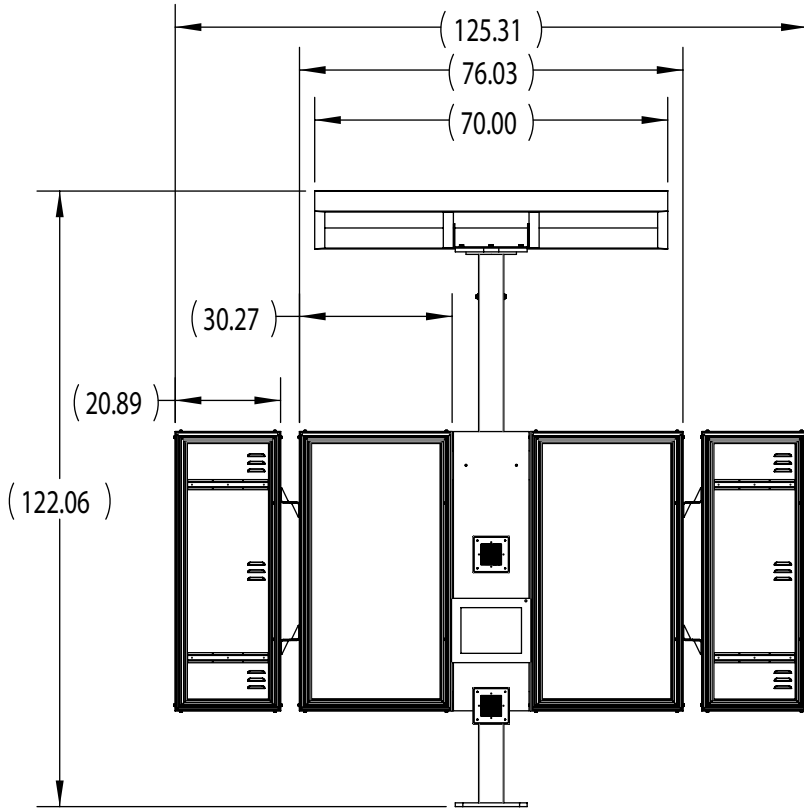
OVERVIEW

The Howard outdoor, stand alone, flat-top canopy including menu board, order confirmation board with speaker and microphone, provides state-of-the-art performance for customers having limited space in confined areas. The canopy provides comfort and sense of security with protection from the elements: rain snow, sun wind. A rotating "swing away" roof design (helix) is standard.

The All-In-One Drive-Thru Solution boasts considerable construction and installation cost savings - one foundation, conduit for high and low voltage, and menu board components in one package.

- All structural parts are made of high-grade, zinc-rich primed, powder-coated steel available in standard color choices; red, silver, brown, black, white, tan, blue
- Custom colors available
- Roof is constructed of ultra durable, fade resistant, maintenance-free vinyl or aluminum in standard color choices; red, silver, brown, black, white, tan, blue
- Custom colors available
- Wind load rated for up to 110 mph
- Two year limited warranty
- Optional features include foundation kit, LED tube light fixture with diffuser & 160 mph wind load rating

SPECIFICATIONS



Standard: Rotating Helix



Optional: LED Tube Light Fixture w/Diffuser



STANDARD COLOR CHOICES (custom colors available)

Metal, vinyl and aluminum

