

THE HOWARD COMPANY, founded in 1950, is an employee-owned point-of-purchase display manufacturer located in Brookfield, Wisconsin. We specialize in menu boards and food service products, as well as permanent and semi-permanent retail merchandising displays.

toll free: 800.782.6222 | office: 262.782.6000 | www.howardcompany.com

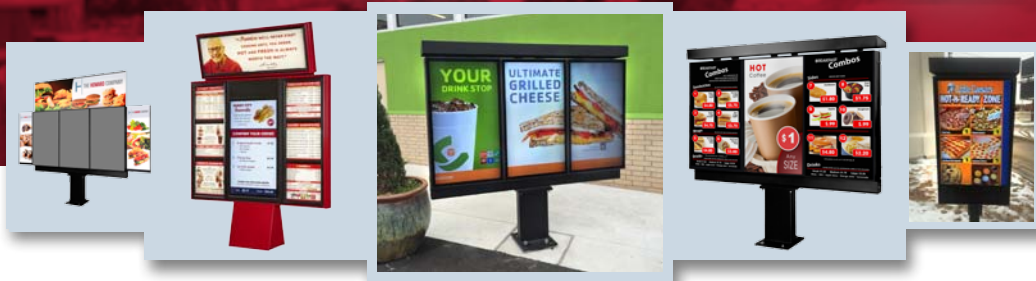
**DRIVE-THRU CHOICE
DRIVE-THRU
DIGITAL
SOLUTIONS**



Hybrid Digital



Full Digital



OVERVIEW

- The dynamic heating and cooling system guarantees internal components are kept safely warm in severe cold and properly cooled in extreme heat
- Change or update your menu quickly either locally or globally using our patented ShowQuest™ software program
- Screens are weatherproof, have a thin profile, and operate independently of each other for easy installation and maintenance
- Ambient light sensors assure the information displayed is visible regardless of the time of day or weather
- Ultra-thin 1/4" bezel and full 1080p HD screen offers clear viewing of menu content to edge of screen

FEATURES

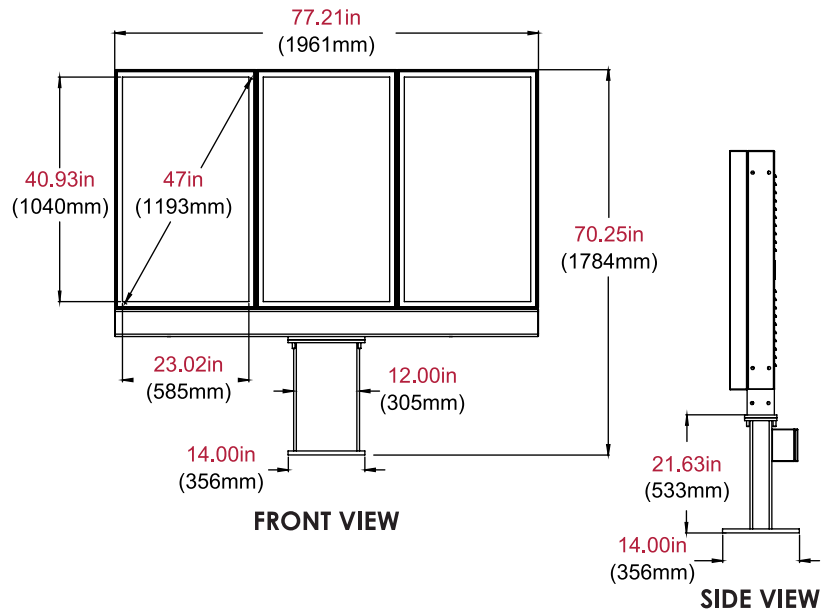
- Easy two-man installation process
- DT Choice Digital displays meet the highest IP rating of 68
- Withstands pressure washing from any angle
- Eliminates air conditioning to cool the systems
- Up to 70% in electrical savings over compressor air conditioned systems
- Practical modular design for quick repairs or maintenance
- Rain cap doubles as solar shield to reduce solar load within kiosk
- Wind load rated up to 110 mph; 90 mph with topper and side appendages

CONFIGURATIONS

- 1 or 3 47" Optically bonded displays
- Optional non-illuminated toppers and side wings

SPECIFICATIONS

- Ambient light sensors
- IP68 Rating
- Aluminum and steel construction
- Dynamic heating and cooling system keeps internal components safely warmed in extreme cold and properly cooled in extreme heat
- Modular Design



3 - 47" Optically Bonded Displays

