

## DRIVE-THRU DELUXE SINGLE CLEARANCE BAR WITH BRAND BOOSTER

### FEATURES

The Illuminated Wing hardware is 55.37" W x 20.89" H powder coated metal with an adjustable mounting bracket to control angle

- Optional graphics for the Clearance Bar Illuminated Side Wing: 17" W x 51.5" H full graphic
- Optional poly graphic cover

The Non-Illuminated Wing hardware is 17.01" W x 47.95" H powder coated metal with an adjustable mounting bracket to control angle

- Optional graphics for the Clearance Bar Side Wing: 16.75" x 47.88" H direct-print graphic
- Optional poly graphic cover

Both the Illuminated and Non-Illuminated wings include adjustable mount for maximum visibility.

Available in 8 standard colors with a 10 business day lead time. *(custom colors available with additional lead time. Call for quote)*



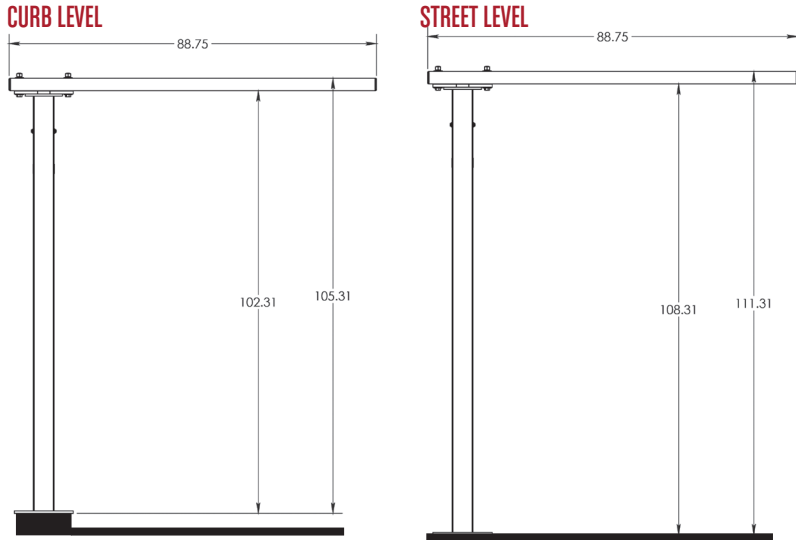
### OVERVIEW

You need a clearance bar for your drive-thru. Why not put it to multiple uses? Add an illuminated or non-illuminated side wing to expand the opportunities to display your messages. They are easy to add to a new or existing clearance bar. They are perfect for specials and LTO's, or to highlight your highest margin items before your guest reaches the main drive-thru board.

These inexpensive clearance bar enhancements come in illuminated and non-illuminated options. The flexible mounting allows you to angle the wing the way you need it for perfect visibility from your drive-thru lane. Turn your clearance bar into an additional branding and suggestive selling tool!

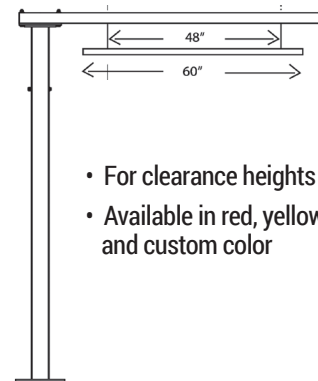
# DRIVE-THRU DELUXE SINGLE CLEARANCE BAR WITH BRAND BOOSTER

## SPECIFICATIONS



## OPTIONS

### ADD ON CABLE HUNG PVC SWAY BAR



- For clearance heights below 9 ft.
- Available in red, yellow, white and custom color

### STANDARD METAL COLOR OPTIONS

